

**Content:**

**Dimension:**

\*Dimensions in mm

EAN	W	lm @ 4000K	K	CRI	ta (°C)	Vac	Hz	g	Inrush current
8719157055901	12/16/20	1450/1920/2400	3000/4000/6500	80	-20~+40	220-240	50/60	600	Driver Bulkhead Pro V2
8719157055918	12/16/20	1450/1920/2400	3000/4000/6500	80	-20~+40	220-240	50/60	700	Inrush current I <sub>peak</sub> (A) 18
8719157055925	12/16/20	1450/1920/2400	3000/4000/6500	80	0~+40	220-240	50/60	800	Inrush current T <sub>width</sub> (µs) 180
8719157055932	12/16/20	1450/1920/2400	3000/4000/6500	80	0~+40	220-240	50/60	1000	Circuit breaker Bulkhead Pro V2
									B16 40PCS
									C16 60PCS

**1**

**2**

**3**

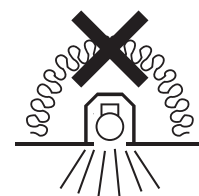
**4**








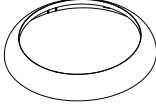
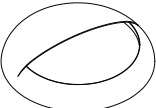
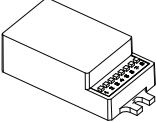
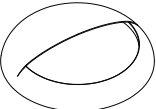
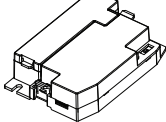
Brown	LS
Blue	N

**5**

**6**

**7**

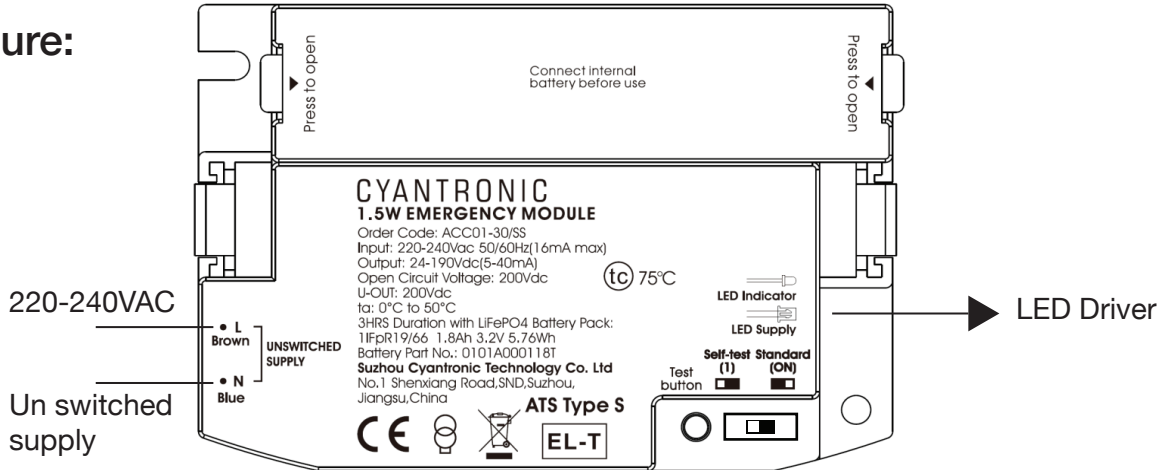


<p> Please cut off the power before adjusting the power or CCT DIP switch. Factory settings: 3000K, 12W.</p>	<p> The installation diagram applies to standard, sensor, and EM products. Please be aware that the internal components may slightly differ for each item.</p>		
<p>    </p> <p>This product is equipped with a LED light source that can only be replaced by authorised professionals. This product have a control gear that can only be replaced by authorised professional personnel.</p>			
<p><b>Accessories(Must order separately)</b></p>		<p>EAN:8719157056007 Noxion Bulkhead Pro V2 - Ring Black</p>	
	<p>EAN:8719157056014 Noxion Bulkhead Pro V2 - Eyelid Ring - White</p>		<p>EAN:8719157055987 Noxion Sensor Kit for Bulkhead Pro V2, Ceiling Light Corido V2</p>
	<p>EAN:8719157056021 Noxion Bulkhead Pro V2 - Eyelid Ring - Black</p>		<p>EAN:8719157055994 Noxion EM Kit for Bulkhead Pro V2, Ceiling Light Corido V2</p>

**EN** The luminaire shall be installed and maintained by a qualified electrician, in accordance with the national regulations in each country. The luminaire contains no replaceable parts. In case of the luminaire is damaged, it shall be exclusively replaced by the manufacturer or authorized dealer. Keep the operating manual for later use. The manufacturer is not responsible for the incorrect use and assembly of this product. **NL** De armatuur dient te worden geïnstalleerd en onderhouden door een erkend installateur, in overeenstemming met de nationale regelgeving in het betreffende land. De armatuur bevat geen vervangbare onderdelen. Indien de armatuur is beschadigd dient deze enkel te worden vervangen door de fabrikant of door een erkende dealer. Bewaar de handleiding voor later gebruik. De fabrikant is niet verantwoordelijk voor onjuist gebruik en/of installatie van dit product. **DE** Die Leuchte muss von einem qualifizierten Elektriker gemäß den nationalen Vorschriften in jedem Land installiert und gewartet werden. Die Leuchte enthält keine austauschbaren Teile. Falls die Leuchte beschädigt ist, wird sie ausschließlich durch den Hersteller oder den autorisierten Händler ersetzt. Bewahren Sie die Bedienungsanleitung für spätere Verwendung auf. Der Hersteller ist nicht verantwortlich für die unsachgemäße Verwendung und Montage dieses Produktes. **FR** Le luminaire doit être installé et entretenu par un électricien qualifié, conformément à la réglementation nationale de chaque pays. Le luminaire ne contient pas de pièces remplaçables. Dans le cas où le luminaire est endommagé, il doit être remplacé exclusivement par le fabricant ou le revendeur agréé. Conservez le mode d'emploi pour une utilisation ultérieure. Le fabricant n'est pas responsable de l'utilisation et du montage incorrects de ce produit. **IT** L'apparecchio deve essere installato e mantenuto da un elettricista qualificato seguendo le normative nazionali di riferimento. L'apparecchio non contiene parti sostituibili. In caso di rottura sarà sostituito esclusivamente dal produttore o da un rivenditore autorizzato. Conservate il manuale di installazione per eventuali utilizzi successivi. Il produttore non è responsabile per l'utilizzo ed il montaggio non corretto di tale apparecchio. **ES** La luminaria debe de ser instalada y mantenida por un electricista cualificado, siguiendo las regulaciones nacionales de cada país. La luminaria contiene partes no reemplazables. En el caso de que la luminaria sea dañada, deberá ser reemplazada exclusivamente por el fabricante o distribuidor autorizado. Guarde el manual para usos posteriores. El fabricante no es responsable por el uso e instalación incorrecta de este producto. **SE** Armaturen ska installeras och underhållas av en behörig elektriker i enlighet med nationella föreskrifter i respektive land. Armaturen innehåller inga utbytbara delar. Om armaturen är skadad ska den utslutande bytas ut av tillverkaren eller en auktoriserad återförsäljare. Spara bruksanvisningen för framtida bruk. Tillverkaren ansvarar inte för felaktig användning eller montering av denna produkt.

**Emergency Kit Setting:**

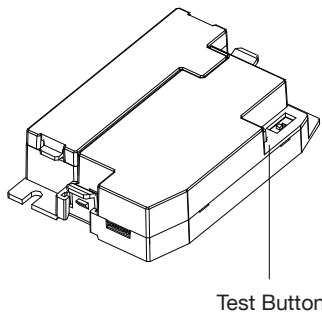
**Structure:**



**LED Indicator**  
System status is locally indicated by a bi-coloured LED indicator.

LED indication	Description	Status	Standard Mode	Self-test Mode
	Green Permanently On	System Healthy	✓	✓
	Permanently OFF	Emergency Mode: Mains failure or mains disconnected Battery disconnected	✓	✓ N/A
	Green Slow Flash (0.5s on-0.5s off)	Duration Test Pending	N/A	✓
	Green Medium Flash (0.25s on-0.25s off)	Duration Test Running	N/A	✓
	Green Fast Flash (0.125s on-0.125s off)	Functional Test Running	N/A	✓
	Red Permanently On	Battery Charging Fault	N/A	✓
	Red Medium Flash (0.25s on-0.25s off)	Battery Duration Fault	N/A	✓
	Red Fast Flash (0.125s on-0.125s off)	Lamp or Luminaire Fault	N/A	✓
	OFF 1s then Red Stay On 5s	26 Weeks Duration Test Interval	N/A	✓
	OFF 1s then Red Fast Flash 5s (0.125s on-0.125s off)	52 Weeks Duration Test Interval	N/A	✓

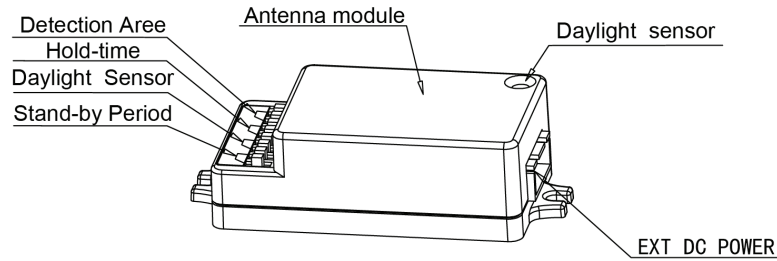
**Functionality of the test button**  
The test button enables you to make a series of settings manually.



Description	Function	Standard Mode	Self-test Mode
Hold down	Manual functional test	✓	N/A
Press 1-2s	Manual functional test	N/A	✓
Press 5-10s	Manual duration test	N/A	✓
Press <1s	Confirm the current duration test interval	N/A	✓
Double press <1s	Set the duration test interval	N/A	✓
Double press <1s during emergency mode	Rest mode activated	✓	✓

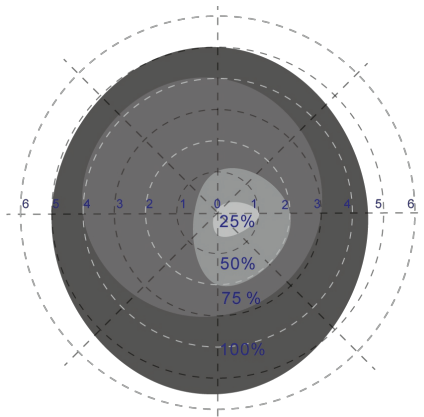
## Sensor Kit Setting:

### Structure:



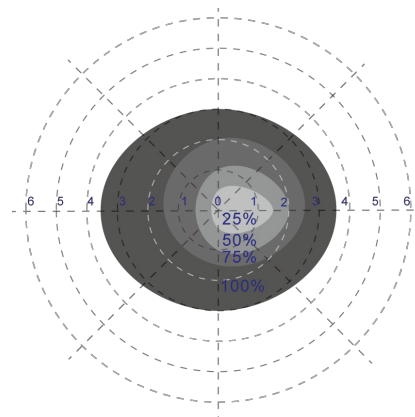
### Ceiling Mounting:

Mounting height:3m  
Detection area:100% / 75% / 50% / 25%



Moving speed:1m/s

Mounting height:3m  
Detection area:100% / 75% / 50% / 25%



Moving speed:0.3m/s

### Dip Switch Setting:

#### 1. Detection Area

	1	2	
I	ON	ON	100%
II	-	ON	75%
III	ON	-	50%
IV	-	-	25%

#### 2. Hold Time

	3	4	
I	ON	ON	5S
II	-	ON	90S
III	ON	-	3min
IV	-	-	10min

#### 3. Daylight Sensor

	5	6	
I	ON	ON	+∞
II	-	ON	50Lux
III	ON	-	15Lux
IV	-	-	5Lux

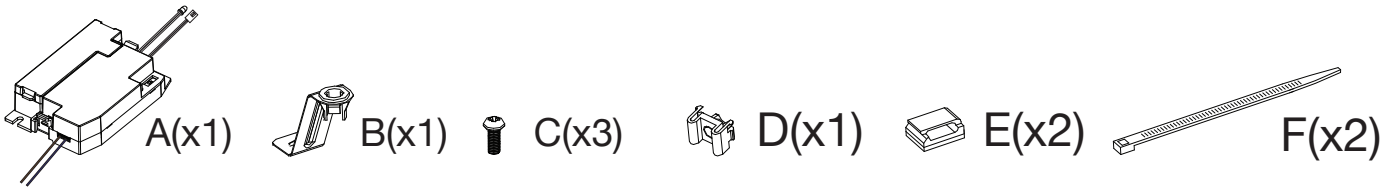
#### 4. Stand-by Period

	7	8	
I	ON	ON	0S
II	-	ON	30S
III	ON	-	10min
IV	-	-	+∞

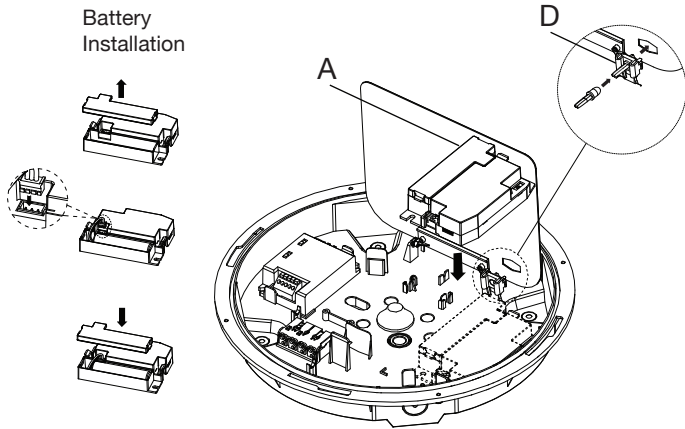
### Sensor Specification:

Operating Voltage:	220-240Vac	Mounting Height:	3m MAX.
Working Mode:	5V PWM	Hold Time:	5s/90s/3min/10min
HF System:	5.8 GHz ±75 MHz	Daylight Sensor:	5lux/15Lux/50Lux/Disable
Power Consumption:	0.2W (Stand-By)	Operating Temp:	-25~70°C
Detection Area (Radius):	6m MAX.	IP:	IP20
Stand-by DIM Level:	20%		

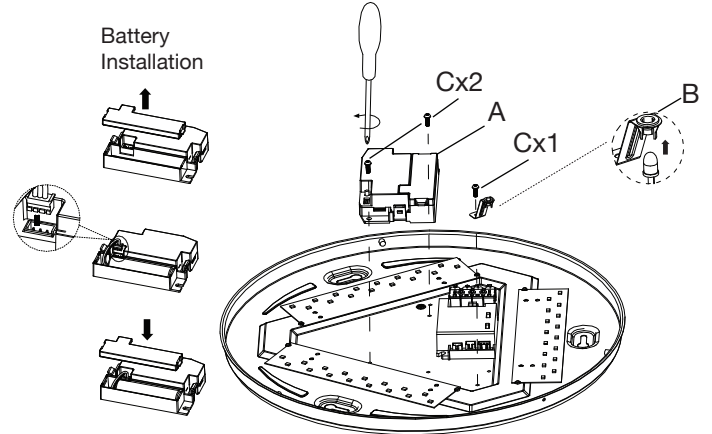
**Emergency Kit Setting:**



**1a For Bulkhead Pro V2**



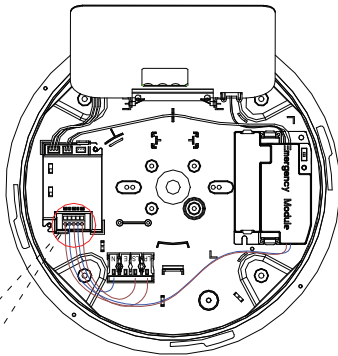
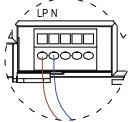
**1b For Corido V2**



**2a**

EM Factory Setting:  
Autotest

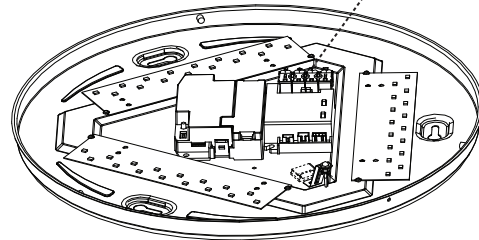
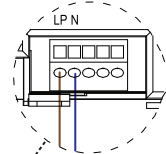
Brown	LP
Blue	N



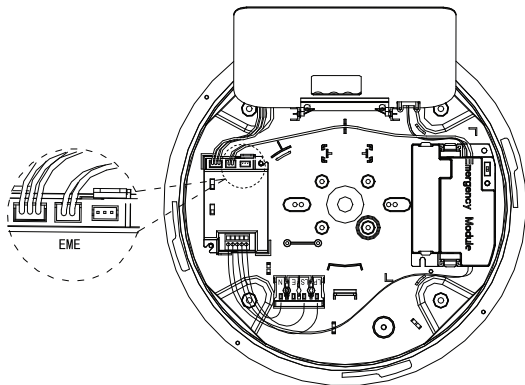
**2b**

EM Factory Setting:  
Autotest

Brown	LP
Blue	N



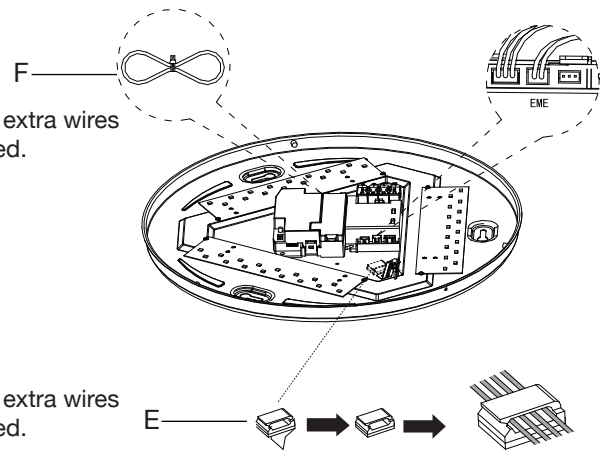
**3a**



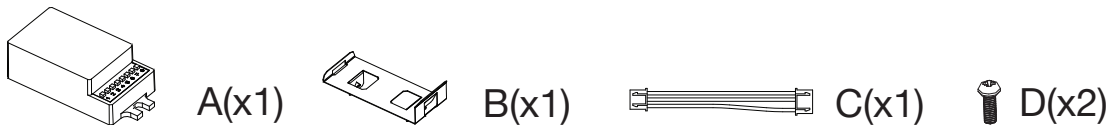
**3b**

Bundle extra wires if needed.

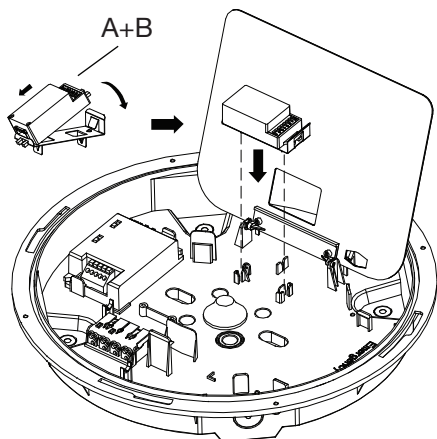
Bundle extra wires if needed.



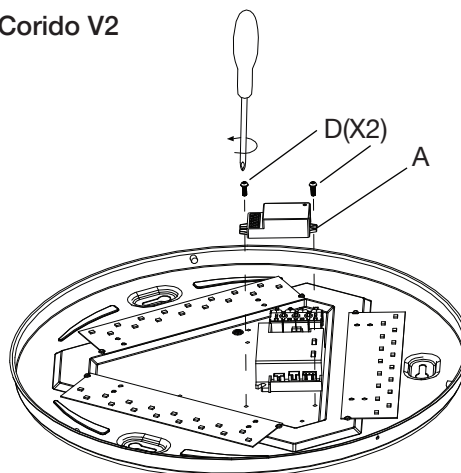
**Sensor Kit Setting:**



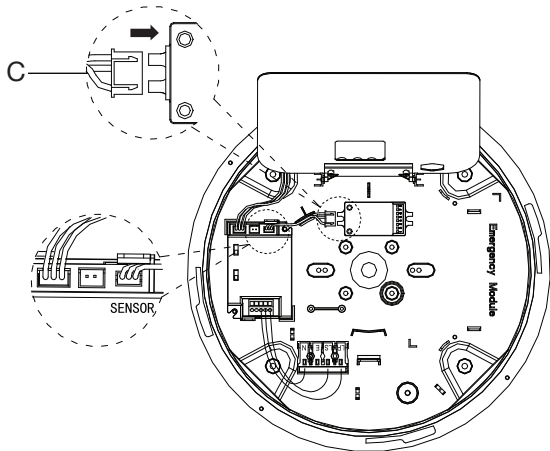
**1a For Bulkhead Pro V2**



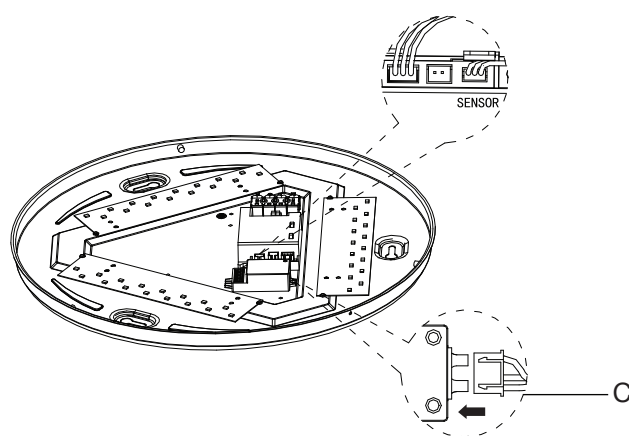
**1b For Corido V2**



**2a**



**2b**



**Sensor Factory Setting:**

**1. Detection Area**

	1	2	
I	ON	ON	100%
II	-	ON	75%
III	ON	-	50%
IV	-	-	25%

**2. Hold Time**

	3	4	
I	ON	ON	5S
II	-	ON	90S
III	ON	-	3min
IV	-	-	10min

**3. Daylight Sensor**

	5	6	
I	ON	ON	+∞
II	-	ON	50Lux
III	ON	-	15Lux
IV	-	-	5Lux

**4. Stand-by Period**

	7	8	
I	ON	ON	0S
II	-	ON	30S
III	ON	-	10min
IV	-	-	+∞